

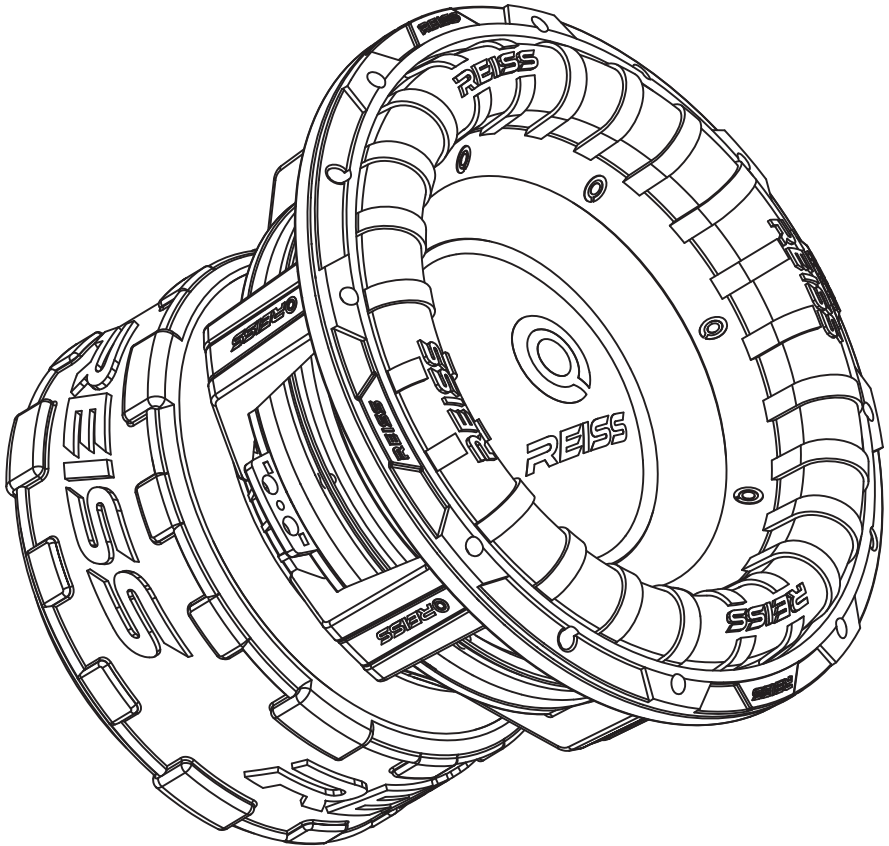


OWNER'S MANUAL

RS-VQ15.02

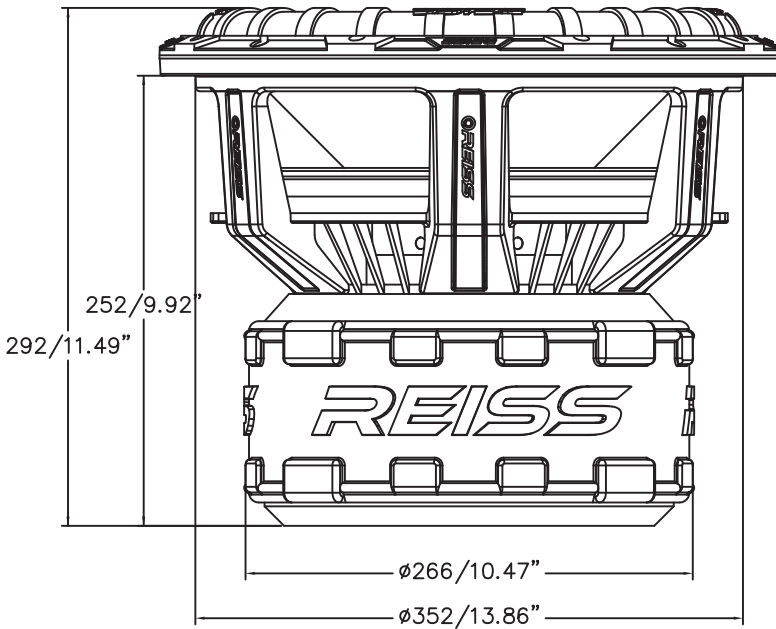
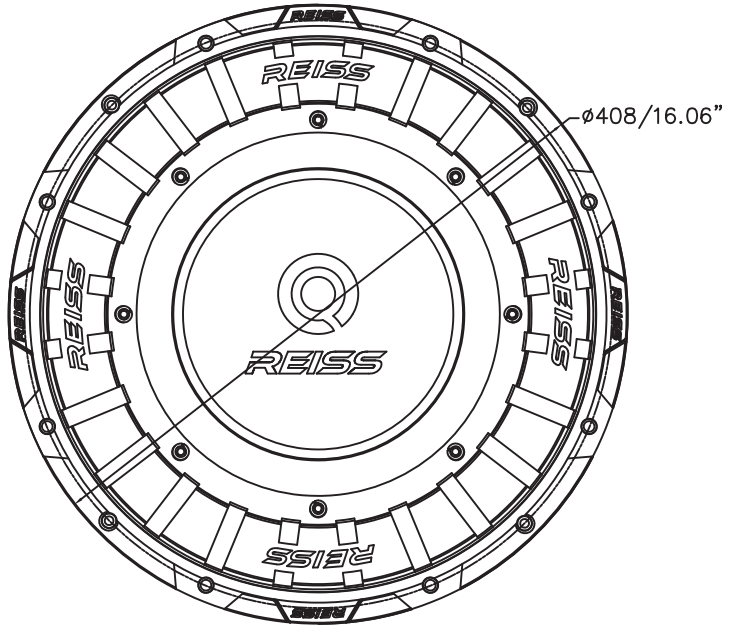
15" COMPETITION
HIGH POWER SUBWOOFER

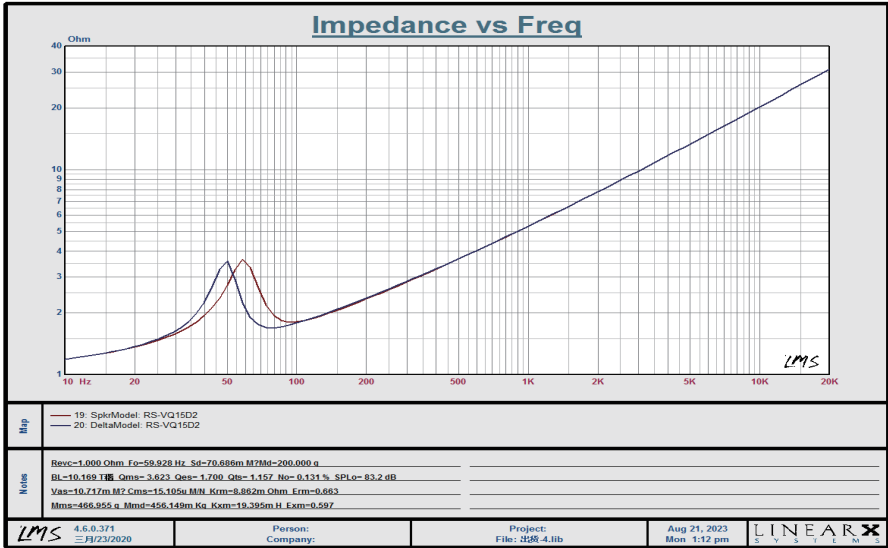
2+2 Ω



Turkish Engineering Since 1985

RS-VQ15.D2





SPECIFICATIONS

Nominal Diameter / 15" / 408 mm
 Nominal Impedance / 2+2 OHMS
 RMS Power Handling / 3500 Watts
 MAX Power Handling / 7000 Watts
 Sensitivity (1w/1m) / 83.2 dB
 Frequency Response / 38Hz - 500Hz
 Recommended Lo Pass Crossover / 80 Hz

MOTOR

Voice Coil Diameter / 4" / 99.2 mm
 Voice Coil Former Material / Black Aluminum
 Winding Material / CCAR
 Cone Material / Carbon Fiber
 Dust Cap Material / Carbon Fiber
 Surround Material / Foam
 Basket Material / Aluminum
 Basket Color | Finish / Black wrinkle Coating with Machined Aluminum
 Magnet Material / Ferrite
 Magnet Weight / 500 Oz



THIELE & SMALL PARAMETERS

Equivalent Volume /	Vas	10.7 L / 0.378 ft ³
Free Air Resonance /	Fs	60 Hz
Mechanical Factor /	Qms	3.62
Electrical Factor /	Qes	1.700
Total Factor /	Qts	1.157
Moving Mass /	Mms	466.95 g
Compliance /	Cms	0.015 mm/N
BI Factor /	BI	10.16
Voice Coil Inductance /	Le	0.597 mH
Diaphragm Area /	Sd	706.8 cm ²
DC Resistance /	Re	1.8+1.8 OHM

MEASUREMENT

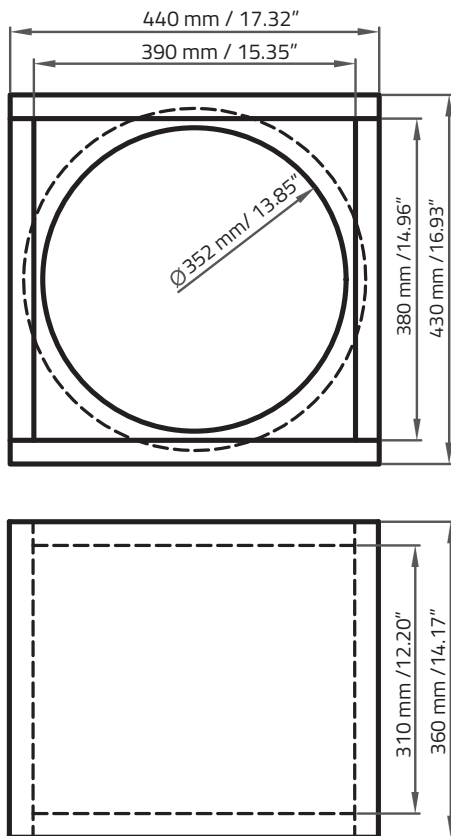
Overall Diameter /	16.06" / 408 mm
Overall Depth /	11.4" / 292 mm
Front Mount Baffle Cutout. /	13.85" / 352 mm
Mounting Depth /	9.92" / 252 mm
Motor Diameter /	9.84" / 250 mm

RECOMMENDED ENCLOSURES

Sealed Internal Volume /	45L / 1.59 ft ³
Sealed Box Output Response /	51.5 Hz
Ported Internal Volume /	75L / 2.65 ft ³
Port Size *Square (WxHxLong) /	3.15" x 15.74" x 24.01" / 80 mm x 400 mm x 610 mm
Port Tuning Frequency /	40 Hz
Ported Box Output Response /	31 Hz

RECOMMENDED BOX DIMENSION

SINGLE SUBWOOFER SEALED BOX



PARAMETERS

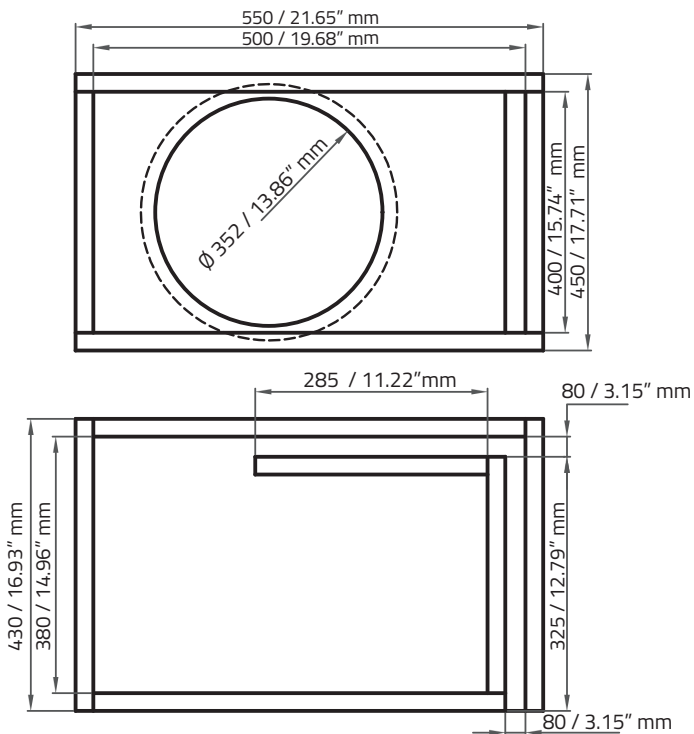
Box External Dimensions:

(WxHxD): 17.32"x 16.93"x 14.1" /

440 mm x 430mm x 360mm

Material Thickness: 0.98" / 25mm

Net Internal Volume: 1.59 ft³ / 45 L

SINGLE SUBWOOFER PORTED BOX**PARAMETERS**

Box External Dimensions:

(WxHxD): 21.65" x 17.71" x 16.93" /
550 mm x 450 mm x 430 mm

Material Thickness: 0.98" / 25mm

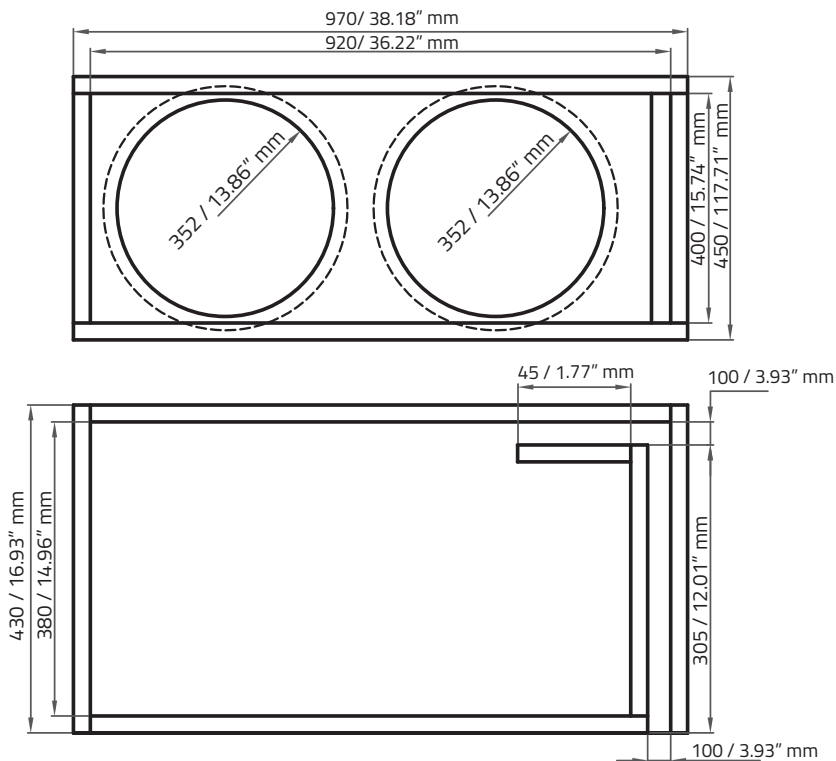
Net Internal Volume: 2.65 ft³ / 75 L

Tuning Frequency: 40 Hz

Port Area: 49.58 inch² / 320 CM²

Port Intel: 3.15" x 15.74"

Port Length: 24.01" / 610 mm

DOUBLE SUBWOOFER PORTED BOX**PARAMETERS**

Box External Dimensions:

(WxHxD): 38.18" x 17.71" x 16.93" /
970 mm x 450 mm x 430 mm

Material Thickness: 0.98" / 25mm

Net Internal Volume: 4.9 ft³ / 140L

Tuning Frequency: 40 Hz

Port Area: 61.85 inch² / 400 CM²

Port Intel: 3.93" x 15.74"

Port Length: 13.78" / 350 mm



**FOR MORE INFORMATION
PLEASE VISIT
www.reissaudio.com.tr**

Turkish Engineering Since 1985

REİS ELEKTRONİK SANAYİ VE TİCARET A.Ş
İstoç Toptancılar Sitesi 15. Ada No:1-3-5-7
Mahmutbey Bağcılar / İstanbul - TÜRKİYE