

Model: RS-DS5

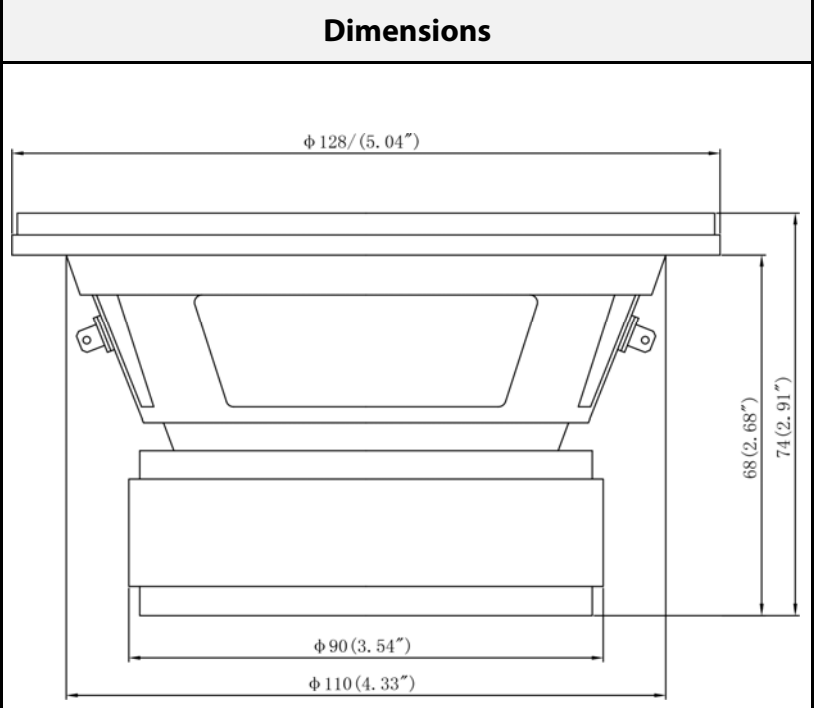
13CM Mid-Range Speaker



SPECIFICATIONS

General Data		Unit	FEATURES
Overall Dimensions	Ø128 x 74	mm	Steel Basket
Nominal Power Handling	75W	W	Pressed Paper Cone, Treated Cloth Surround
Maximum Power	250W	W	Aluminium Phase Plug
Sensitivity	92	dB	High Temperature 1.2Inch CCAW Voice Coil
Frequency Response	260~15000	Hz	High Performance Ferrite Magnet Structure

Cone Material	Paper	
Basket	Steel	
Net Weight	1.24	kg



Electrical Data		
Nominal Impedance	4	Ohm
DC Resistance	3.2	Ohm

Voice Coil and Magnet Parameters		
Voice Coil Diameter	30.5	mm
Voice Coil Height	8	mm
Magnetic Gap Height	6	mm
Voice Coil Robbin	Kapton	
Number of Layers	2	

T-S Parameters		
Suspension Compliance	97.293µM/N	Cms
Mechanical Q Factor	8.358	Qms
Electrical Q Factor	1.323	Qes
Total Q Factor	1.143	Qts
Moving Mass	4.674	Mms
Eq. Cas AIR Loaded	0.958L	Vas
Resonant Frequency	236.019HZ	Fs
Effective Piston Area	83.28cm ²	SD

